



FORGED FLARE **HELLS NUTS**

TESTED UNDER SEVERE OPERATING CONDITIONS



TRADITIONAL FLARE NUTS

MAXIMUM WORKING CONDITION



Suitable for applications with working pressure up to 200 bar, versus 140 bar of traditional flare nuts.

STRESS CORROSION CRACKING TEST



Stress corrosion cracking resistant in ammoniacal atmosphere up to 500 hours, versus 100 hours maximum guaranteed by traditional flare nuts.

OVERALL DIMENSIONS



Installation of the **HELLS NUTS** in inaccessible positions is eased compared to traditional flare nuts, thanks to their overall smaller dimensions.



DESIGNED FOR MODERN FLAMABLE REFRIGERANTS, SUITABLE FOR ALL REFRIGERANTS.

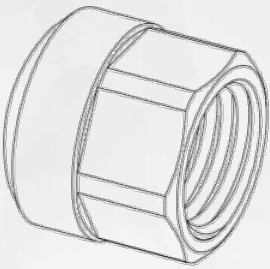
FORGED FLARE



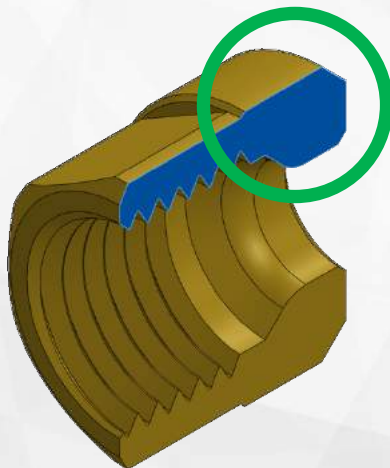
HULLIG NUTS



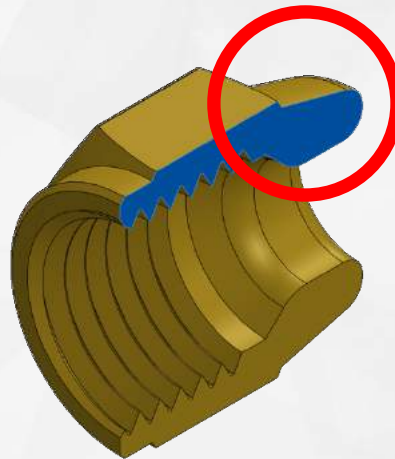
Mod.	Thread	Flare connection SAE J513	Tube diameter		Assembly torque
	ANSI/ASME B1.1 internal thread		mm	inch	Nm
HS4-4	7/16" - 20 UNF	1/4"	6	1/4"	11÷14
HS4-5	1/2" - 20 UNF	5/16"	8	5/16"	11÷14
HRS4-64	5/8" - 18 UNF	3/8"	6	1/4"	20÷25
HRS4-65	5/8" - 18 UNF	3/8"	8	5/16"	20÷25
HS4-6	5/8" - 18 UNF	3/8"	-	3/8"	20÷25
HS4-6M10	5/8" - 18 UNF	3/8"	10	-	20÷25
HRS4-86	3/4" - 16 UNF	1/2"	-	3/8"	34÷47
HS4-8M10	3/4" - 16 UNF	1/2"	10	-	34÷47
HS4-8M12	3/4" - 16 UNF	1/2"	12	-	34÷47
HS4-8	3/4" - 16 UNF	1/2"	-	1/2"	34÷47
HS4-10M12	7/8" - 14 UNF	5/8"	12	-	54÷75
HRS4-108	7/8" - 14 UNF	5/8"	-	1/2"	54÷75
HS4-10M14	7/8" - 14 UNF	5/8"	14	-	54÷75
HS4-10	7/8" - 14 UNF	5/8"	16	5/8"	54÷75
HS4-12M14	1.1/16" - 14 UNS	3/4"	14	-	68÷71
HRS4-1210	1.1/16" - 14 UNS	3/4"	16	5/8"	68÷71
HS4-12M18	1.1/16" - 14 UNS	3/4"	18	-	68÷71
HS4-12	1.1/16" - 14 UNS	3/4"	19	3/4"	68÷71
HS4-14	1.1/4" - 12 UNF	7/8"	22	7/8"	90÷120
HRS4-1614	1.3/8" - 12 UNF	1"	22	7/8"	120÷150
HS4-16	1.3/8" - 12 UNF	1"	-	1"	120÷150



INCREASED THICKNESS IN CRITICAL POINTS.



HULLIG NUTS



TRADITIONAL FLARE NUTS